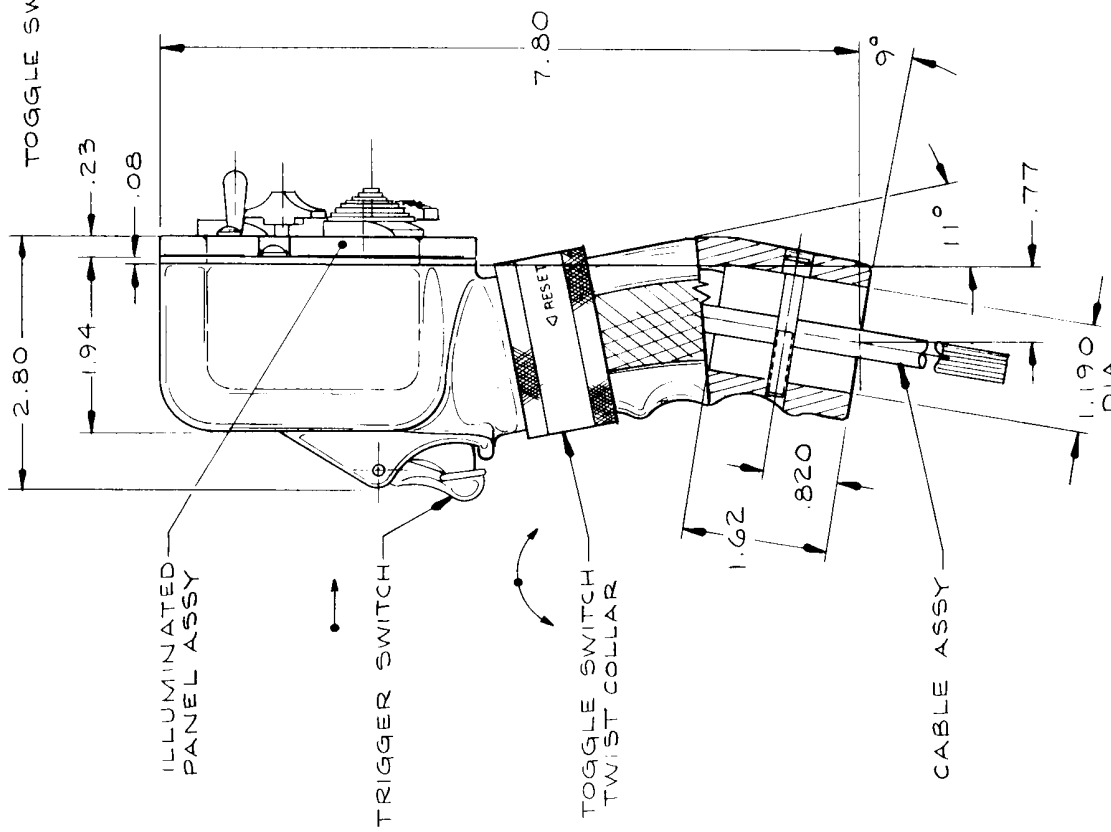
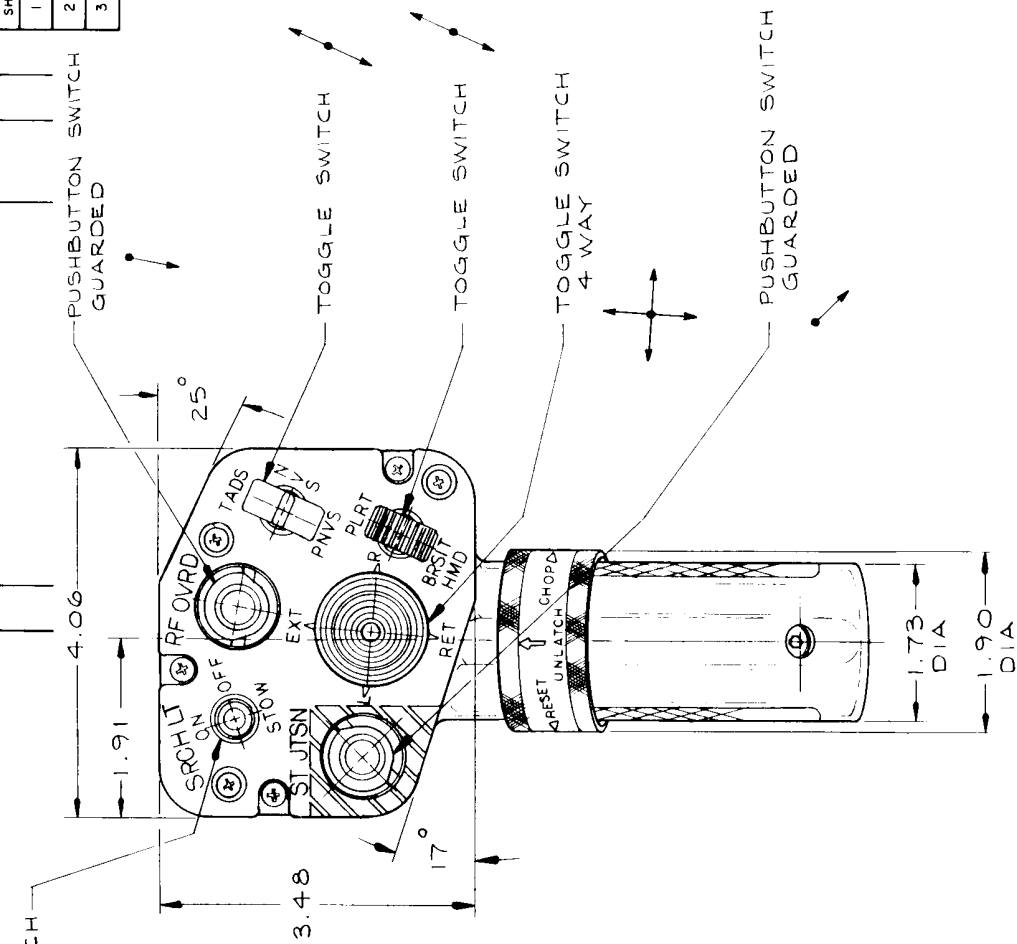


REV STATUS OF SHEETS	
SH	REV
1	
2	
3	

REVISIONS		DATE	APPROVED
SYM	DESCRIPTION		



FIND NO	QTY REQD	CODE IDENT NO	PART OR IDENTIFYING NUMBER	NOMENCLATURE OR DESCRIPTION	NOTE
				MATERIALS OR PARTS LIST	

UNLESS OTHERWISE SPECIFIED DIMENSIONS ARE IN INCHES	
DECIMALS	TOLERANCES
XX ± 0.1	SURF FNISH
XXX ± 0.005	± 1" ✓
HEAT TREAT	FINISH

PREPARED	CHECKED	APPROVED

SIZE	CODE IDENT NO
C 81579	

SCALE	WT	SHEET

MASON ELECTRIC COMPANY, INC

MATERIAL : MOLDED FIBER FILLED THERMOSETTING PLASTIC.

2. DIMENSIONS APPLY AFTER PLATING.
  1. REMOVE ALL BURRS AND SHARP EDGES; SPRUE AND ALL FLASH; GATES, FINS AND RISERS.
- NOTES, GENERAL, UNLESS OTHERWISE SPECIFIED AND AS APPLICABLE: